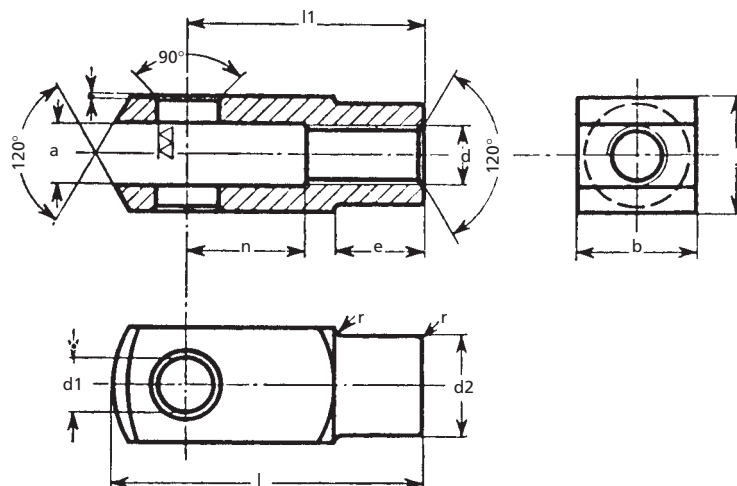




## Accessori di regolazione

### Forcelle filettate femmina UNI 1676



**Materiale:**  
95 - Mn Pb 23 R 50 kg/mm<sup>2</sup> - filettatura destra

| tipo              | a<br>mm | valori della<br>toller. su a (B 12)<br>mm | b<br>mm | d1<br>mm | valori della<br>toller. su d1 (H8)<br>mm | d2<br>mm | e<br>mm | f<br>mm | l<br>mm | l1<br>mm | n<br>mm | r<br>mm |
|-------------------|---------|---|---------|----------|--|----------|---------|---------|---------|----------|---------|---------|
| <b>4 MA</b>       | 4       | + 0.14<br>+ 0.26                          | 8       | 4        | + 0.030<br>0                             | 8        | 6,0     | 0,5     | 21      | 16       | 8       | 0,5     |
| <b>5 MA</b>       | 5       | + 0.14<br>+ 0.26                          | 10      | 5        | + 0.030<br>0                             | 9        | 7,5     | 0,5     | 26      | 20       | 10      | 0,5     |
| <b>5 MA x 20</b>  |         |   |         |          |  |          |         |         | 36      | 30       | 20      | 0,5     |
| <b>6 MA</b>       | 6       | + 0.14<br>+ 0.26                          | 12      | 6        | + 0.030<br>0                             | 10       | 9,0     | 0,5     | 31      | 24       | 12      | 0,5     |
| <b>6 MA x 24</b>  |         |   |         |          |  |          |         |         | 43      | 36       | 24      | 0,5     |
| <b>8 MA</b>       | 8       | + 0.15<br>+ 0.30                          | 16      | 8        | + 0.036<br>0                             | 14       | 12,0    | 0,5     | 42      | 32       | 16      | 0,5     |
| <b>8 MA x 32</b>  |         |   |         |          |  |          |         |         | 58      | 48       | 32      | 0,5     |
| <b>10 MA</b>      | 10      | + 0.15<br>+ 0.30                          | 20      | 10       | + 0.036<br>0                             | 18       | 15,0    | 0,5     | 52      | 40       | 20      | 0,5     |
| <b>10 MA x 40</b> |         |   |         |          |  |          |         |         | 72      | 60       | 40      | 0,5     |
| <b>12 MA</b>      | 12      | + 0.15<br>+ 0.33                          | 24      | 12       | + 0.043<br>0                             | 20       | 18,0    | 0,5     | 62      | 48       | 24      | 0,5     |
| <b>12 MA x 48</b> |         |   |         |          |  |          |         |         | 86      | 72       | 48      | 0,5     |
| <b>14 MA</b>      | 14      | + 0.15<br>+ 0.33                          | 27      | 14       | + 0.043<br>0                             | 24       | 23,0    | 1,0     | 72      | 56       | 27      | 1,0     |
| <b>16 MA</b>      | 16      | + 0.15<br>+ 0.33                          | 32      | 16       | + 0.043<br>0                             | 26       | 24,0    | 1,0     | 83      | 64       | 32      | 1,0     |
| <b>18 MA</b>      | 18      | + 0.16<br>+ 0.37                          | 36      | 18       | + 0.043<br>0                             | 30       | 27,0    | 1,0     | 94      | 72       | 36      | 1,0     |
| <b>20 MA</b>      | 20      | + 0.16<br>+ 0.37                          | 40      | 20       | + 0.052<br>0                             | 34       | 30,0    | 1,0     | 105     | 80       | 40      | 1,0     |

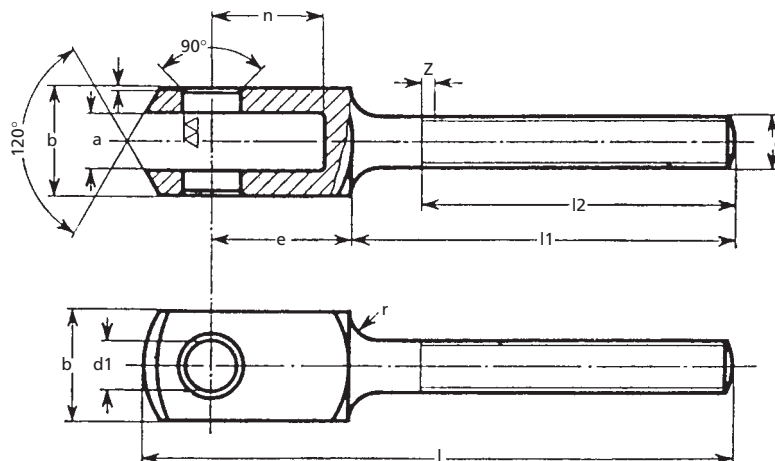
**N.B.:** A richiesta filettatura sinistra

Dati non impegnativi

## Accessori di regolazione

...segue

### Forcelle filettate maschio UNI 1675



**Materiale:**

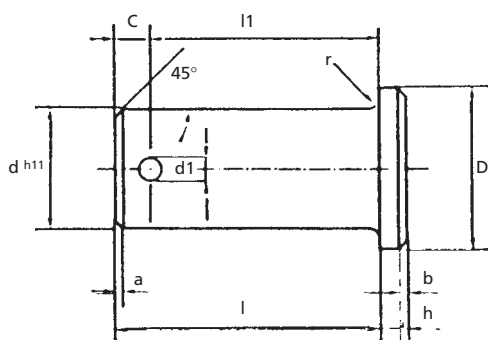
95 Mn Pb R 50 kg/mm<sup>2</sup>.

Disponibile con filetto destro o sinistro.

**N.B.: A richiesta - interpellateci per la disponibilità**

| tipo | a  | valori della toller. su a (B 11) | b  | d1 | valori della toller. su d1 (D10) | e    | f   | l     | l1 | l2 | n  | r   |
|------|----|----------------------------------|----|----|----------------------------------|------|-----|-------|----|----|----|-----|
| d    | mm | mm                               | mm | mm | mm                               | mm   | mm  | mm    | mm | mm | mm | mm  |
| M 5  | 5  | + 0.140<br>+ 0.215               | 10 | 5  | + 0.030<br>+ 0.078               | 12,5 | 0,5 | 63,5  | 45 | 35 | 10 | 2,5 |
| M 6  | 6  | + 0.140<br>+ 0.215               | 12 | 6  | + 0.030<br>+ 0.078               | 15,0 | 0,5 | 72,0  | 50 | 40 | 12 | 3,0 |
| M 8  | 8  | + 0.150<br>+ 0.240               | 16 | 8  | + 0.040<br>+ 0.098               | 20,0 | 0,5 | 85,0  | 55 | 45 | 16 | 4,0 |
| M 10 | 10 | + 0.150<br>+ 0.240               | 20 | 10 | + 0.040<br>+ 0.098               | 25,0 | 0,5 | 97,0  | 60 | 50 | 20 | 5,0 |
| M 12 | 12 | + 0.150<br>+ 0.260               | 24 | 12 | + 0.050<br>+ 0.120               | 30,0 | 0,5 | 109,0 | 65 | 55 | 24 | 6,0 |
| M 14 | 14 | + 0.150<br>+ 0.260               | 27 | 14 | + 0.050<br>+ 0.120               | 33,5 | 1,0 | 119,5 | 70 | 60 | 27 | 6,0 |
| M 16 | 16 | + 0.150<br>+ 0.260               | 32 | 16 | + 0.050<br>+ 0.120               | 40,0 | 1,0 | 134,0 | 75 | 65 | 32 | 8,0 |

### Perni con testa per forcelle UNI 1710



**Materiale:**

95 - Mn Pb R 50 kg/mm<sup>2</sup>

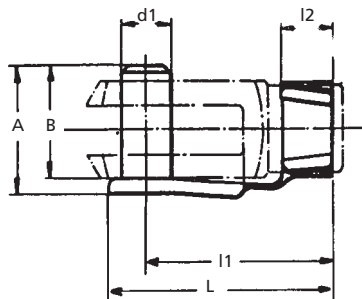
| Tipo | l  | h   | a   | b   | D  | r   | d1  | c   | l1   |
|------|----|-----|-----|-----|----|-----|-----|-----|------|
| d    | mm | mm  | mm  | mm  | mm | mm  | mm  | mm  | mm   |
| 4    | 12 | 1,5 | 1,0 | 0,5 | 7  | 0,5 | 1,5 | 3,0 | 9,0  |
| 5    | 14 | 1,5 | 1,0 | 0,5 | 8  | 0,5 | 1,5 | 3,0 | 11,0 |
| 6    | 16 | 1,5 | 1,0 | 0,5 | 9  | 0,5 | 2,0 | 3,0 | 13,0 |
| 8    | 20 | 2,0 | 1,0 | 0,5 | 12 | 0,5 | 2,0 | 3,0 | 17,0 |
| 10   | 25 | 2,0 | 1,5 | 0,5 | 14 | 0,5 | 3,0 | 3,5 | 21,5 |
| 12   | 30 | 3,0 | 1,5 | 1,0 | 16 | 0,5 | 3,0 | 3,5 | 26,5 |
| 14   | 35 | 3,0 | 1,5 | 1,0 | 19 | 1,0 | 4,0 | 4,0 | 31,0 |
| 16   | 40 | 3,0 | 1,5 | 1,0 | 20 | 1,0 | 4,0 | 4,0 | 36,0 |
| 18   | 45 | 4,0 | 1,5 | 1,0 | 22 | 1,0 | 4,0 | 5,0 | 40,0 |
| 20   | 49 | 4,0 | 1,5 | 1,0 | 24 | 1,0 | 4,0 | 5,5 | 43,5 |

Dati non impegnativi

## Accessori di regolazione

...segue

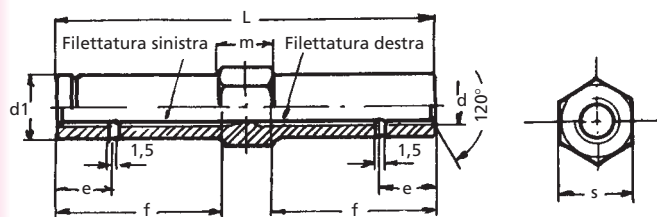
### Clips per forcelle UNI 1676



**Materiale:** 95 - Mn Pb 23 R 50 kg/mm<sup>2</sup>

| Usato per forcella | d1 mm | A mm | B mm | L mm | L1 mm | L2 mm |
|--------------------|-------|------|------|------|-------|-------|
| 4 MA               | 4     | 11,0 | 9    | 19   | 15    | 5     |
| 5                  | 5     | 13,5 | 12   | 23   | 19    | 6     |
| 5 MA x 20          | 5     | 13,5 | 12   | 33   | 29    | 6     |
| 6 MA               | 6     | 16,0 | 14   | 28   | 23    | 6     |
| 6 MA x 24          | 6     | 16,0 | 14   | 40   | 35    | 6     |
| 8 MA               | 8     | 22,0 | 18   | 37   | 31    | 8     |
| 8 MA x 32          | 8     | 22,0 | 18   | 53   | 47    | 8     |
| 10 MA              | 10    | 26,0 | 23   | 46   | 39    | 10    |
| 10 MA x 40         | 10    | 26,0 | 23   | 66   | 59    | 10    |
| 12 MA              | 12    | 27,0 | 22   | 55   | 47    | 12    |
| 12 MA x 48         | 12    | 27,0 | 22   | 80   | 71    | 12    |
| 14 MA              | 14    | 32,0 | 30   | 63   | 53    | 14    |
| 16 MA              | 16    | 38,0 | 36   | 75   | 61    | 15    |
| 20 MA              | 20    | 47,0 | 44   | 95   | 77    | 16    |

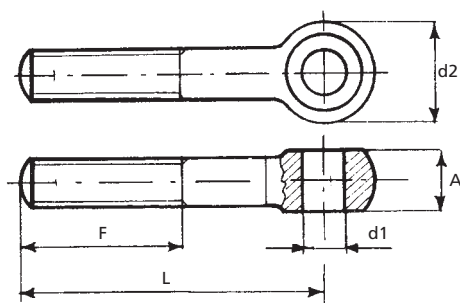
### Manicotti di regolazione UNI 1677



**Materiale:** acciaio PR 80

| Tipo  | d1 mm | f mm | e mm | L mm | m mm | s mm |
|-------|-------|------|------|------|------|------|
| 5 MA  | 7,6   | 29   | 7,5  | 65   | 10   | 8    |
| 6 MA  | 9,5   | 30   | 9,0  | 70   | 10   | 10   |
| 8 MA  | 13,5  | 35   | 12,0 | 80   | 12   | 14   |
| 10 MA | 16,5  | 40   | 15,0 | 90   | 14   | 17   |
| 12 MA | 18,5  | 45   | 18,0 | 100  | 14   | 19   |
| 14 MA | 21,5  | 50   | 21,0 | 110  | 16   | 22   |
| 16 MA | 23,5  | 55   | 24,0 | 120  | 16   | 24   |

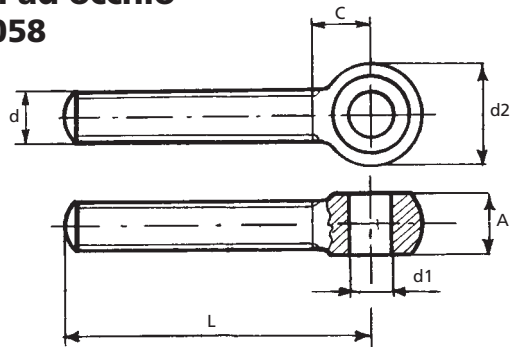
### Tiranti ad occhio UNI 2408



**Materiale:** acciaio A 37.  
Disponibili con filetto destro e sinistro.

| Tipo  | A mm | d1 <sub>H8</sub> mm | d2 mm | F mm | L mm |
|-------|------|---------------------|-------|------|------|
| 6 MA  | 6    | 6                   | 16,5  | 50   | 100  |
| 8 MA  | 8    | 8                   | 18,0  | 50   | 100  |
| 10 MA | 10   | 10                  | 24,0  | 50   | 100  |
| 12 MA | 12   | 12                  | 27,0  | 50   | 100  |
| 14 MA | 14   | 14                  | 30,0  | 50   | 100  |
| 16 MA | 16   | 16                  | 36,0  | 50   | 100  |

### Tiranti ad occhio UNI 6058



**Materiale:** acciaio C40.

| Tipo  | A mm | d1 <sub>H8</sub> mm | d2 mm | C mm | L mm                            |
|-------|------|---------------------|-------|------|---------------------------------|
| 6 MA  | 7    | 5                   | 12    | 8,5  | 30 - 40 - 50                    |
| 8 MA  | 9    | 6                   | 16    | 11,1 | 40 - 50 - 60                    |
| 10 MA | 12   | 8                   | 20    | 13,8 | 40 - 50 - 60 - 70 - 80          |
| 12 MA | 14   | 10                  | 24    | 16,4 | 50 - 60 - 70 - 80 - 90          |
| 14 MA | 16   | 12                  | 28    | 19,0 | 60 - 70 - 80 - 90 - 100 - 120   |
| 16 MA | 18   | 14                  | 32    | 21,0 | 70 - 80 - 90 - 100 - 120 - 140  |
| 18 MA | 20   | 16                  | 36    | 24,2 | 150                             |
| 20 MA | 22   | 18                  | 40    | 26,2 | 80 - 90 - 100 - 120 - 140 - 160 |
| 22 MA | 24   | 18                  | 44    | 28,2 | 180                             |
| 24 MA | 26   | 20                  | 48    | 31,5 | 200                             |
| 27 MA | 30   | 22                  | 54    | 34,5 | 220                             |
| 30 MA | 33   | 25                  | 60    | 38,8 | 230                             |

**N.B.:** Fornibili a richiesta solo con filetto destro e per adeguati quantitativi