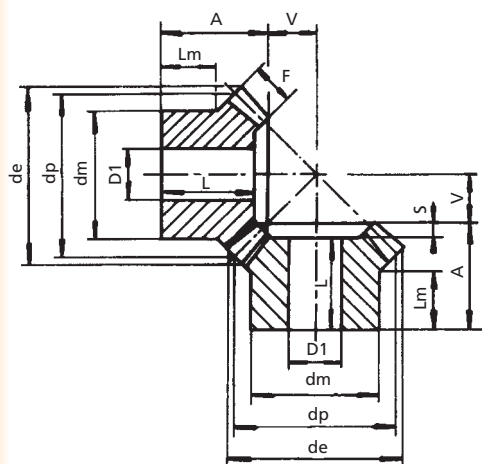


Coppie coniche a denti diritti ad assi normali in acciaio UNI 6588

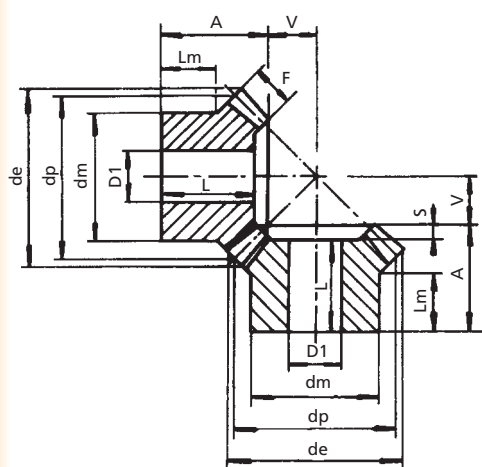
Rapporto 1:1



M	Z	dp	de	F	A	dm	D1	L	V	S	Lm
		mm	mm	mm	mm	mm	mm	mm	mm	mm	mm
1,5	16	24,0	26,12	6,0	18,9	20,3	8	-	7,10	-	12,0
	20	30,0	32,12	10,0	20,0	22,0	10	18,0	7,40	2,0	8,5
	25	37,5	39,62	10,0	23,0	28,0	10	21,0	11,09	2,0	12,0
	30	45,0	47,12	12,0	25,0	30,0	12	22,5	13,35	2,5	12,0
2	16	32,0	34,83	8,0	23,5	25,3	8	-	9,50	-	14,0
	20	40,0	42,83	12,0	25,0	32,0	10	22,0	10,78	3,0	12,0
	25	50,0	52,82	14,0	28,0	40,0	12	25,0	14,28	3,0	12,3
	30	60,0	62,83	16,0	30,0	50,0	12	27,0	17,78	3,0	12,8
2,5	16	40,0	43,53	10,0	28,1	30,3	12	-	11,90	-	15,0
	20	50,0	53,53	12,0	30,5	40,0	12	27,0	15,43	3,5	16,0
	25	62,5	66,00	15,0	33,5	50,0	15	30,0	19,48	3,5	16,0
	30	75,0	78,53	18,0	35,5	55,0	15	32,0	23,63	3,5	16,0
3	16	48,0	52,25	12,0	31,7	40,3	12	-	14,30	-	18,0
	20	60,0	64,24	18,0	35,0	45,0	15	31,0	16,00	4,0	13,6
	25	75,0	79,24	20,0	38,0	55,0	15	34,0	22,00	4,0	16,0
	30	90,0	94,24	22,0	40,0	60,0	20	36,0	28,00	4,0	17,0
3,5	16	56,0	60,95	14,0	36,4	45,3	16	-	16,60	-	20,0
	20	70,0	74,95	22,0	40,5	55,0	15	36,0	18,13	4,5	17,0
	25	87,5	92,45	26,0	43,5	65,0	20	39,0	23,97	4,5	18,0
	30	105,0	109,95	30,0	48,0	70,0	20	43,5	30,02	4,5	19,0
4	16	64,0	69,65	15,0	44,3	50,3	16	-	19,70	-	25,0
	20	80,0	85,65	25,0	43,0	60,0	18	38,0	20,74	5,0	18,0
	25	100,0	105,65	28,0	45,0	70,0	20	40,0	28,50	5,0	18,0
	30	120,0	125,65	32,0	48,0	80,0	20	43,0	35,67	5,0	16,0
4,5	16	72,0	78,38	17,5	46,3	55,3	20	-	21,70	-	25,0
	20	90,0	96,38	28,0	48,0	65,0	20	42,0	23,41	6,0	18,0
	25	112,5	118,80	32,0	50,0	75,0	20	44,0	31,76	6,0	18,0
	30	135,0	141,38	35,0	53,0	90,0	20	47,0	40,82	6,0	17,0
5	16	80,0	87,07	18,0	48,9	60,3	20	-	25,10	-	25,0
	20	100,0	107,07	30,0	50,5	70,0	20	44,0	26,86	6,5	18,5
	25	125,0	132,07	34,0	53,5	90,0	20	47,0	36,36	6,5	18,0
	30	150,0	157,07	38,0	56,5	110,0	20	50,0	45,97	6,5	18,0

Materiale: C43
Angolo di pressione 20°

Rapporto 1:2



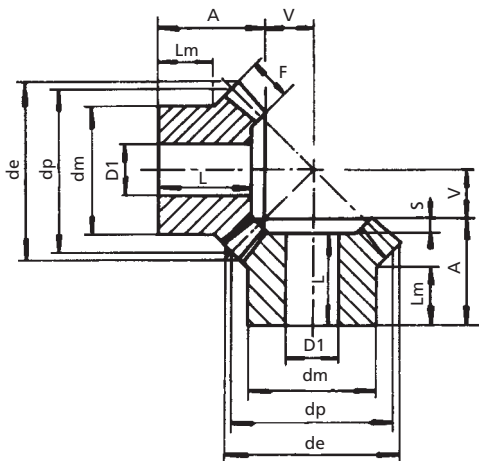
M	Z	dp	de	F	A	dm	D1	L	V	S	Lm
		mm	mm	mm	mm	mm	mm	mm	mm	mm	mm
1,5	16	24	26,68	8	19,5	21	10	18	16,33	1,5	11,3
	32	48	49,34	8	20,0	32	12	17	7,45	3,0	10,0
2	16	32	35,57	10	23,0	26	10	21	22,41	2,0	11,9
	32	64	65,78	10	25,0	40	12	21	10,21	4,0	10,0
2,5	16	40	44,47	12	27,5	34	12	25	28,38	2,5	14,4
	32	80	82,23	12	25,0	50	15	20	12,97	5,0	10,0
3	16	48	53,36	15	28,0	40	15	25	33,64	3,0	11,6
	32	96	98,68	15	30,0	60	15	24	15,31	6,0	10,0
3,5	16	56	62,26	18	33,5	48	15	30	38,83	3,5	14,4
	32	112	115,12	18	31,0	70	20	24	17,77	7,0	10,0
4	16	64	71,15	20	36,0	50	15	32	44,81	4,0	13,4
	32	128	131,57	20	32,0	80	20	24	20,42	8,0	10,0
4,5	16	72	80,05	22	39,5	60	20	35	51,00	4,5	15,4
	32	144	148,00	22	36,0	90	20	27	23,21	9,0	10,0
5	16	80	88,94	25	50,0	60	20	45	56,06	5,0	21,1
	32	160	164,46	25	38,0	100	20	28	25,52	10,0	10,0

Materiale: C43
Angolo di pressione 20°

Dati non impegnativi

Coppie coniche a denti diritti ad assi normali in acciaio UNI 6588

...segue

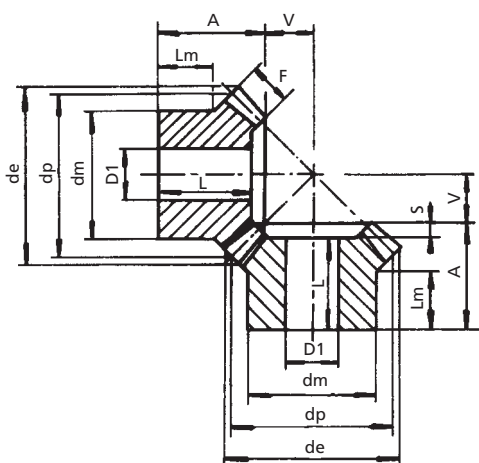


Materiale: C43
Angolo di pressione 20°

Rapporto 1:3

M	Z	dp	de	F	A	dm	D1	L	V	S	Lm
		mm	mm	mm	mm	mm	mm	mm	mm	mm	mm
1,5	16	24	26,82	12	24,0	20	10	23,0	22,44	1,0	11,7
	48	72	72,95	12	20,0	50	12	17,0	7,27	3,0	10,0
2	16	32	35,80	15	28,5	26	12	27,0	33,26	1,5	12,4
	48	96	97,26	15	23,0	60	15	19,0	9,90	4,0	10,0
2,5	16	40	44,74	18	32,0	32	12	30,0	42,41	1,5	13,0
	48	120	121,58	18	26,0	70	20	21,0	12,60	5,0	10,0
3	16	48	53,69	18	32,0	40	15	30,0	54,25	2,0	12,1
	48	144	145,90	18	29,0	80	20	23,0	16,20	6,0	10,0
3,5	16	56	62,64	22	38,0	48	15	35,5	62,29	2,5	15,0
	48	168	170,21	22	31,0	90	20	24,0	18,48	7,0	10,0
4	16	64	71,59	25	41,5	55	20	38,5	71,23	3,0	15,2
	48	192	194,53	25	33,0	100	20	25,0	21,20	8,0	10,0
4,5	16	72	80,53	28	53,0	60	20	50,0	80,27	3,0	23,4
	48	216	218,84	28	49,0	100	20	40,0	23,93	9,0	18,0
5	16	80	89,48	35	60,0	60	20	57,0	85,61	3,0	22,5
	48	240	243,16	35	50,0	150	20	40,0	25,45	10,0	20,0

Rapporto 1:4

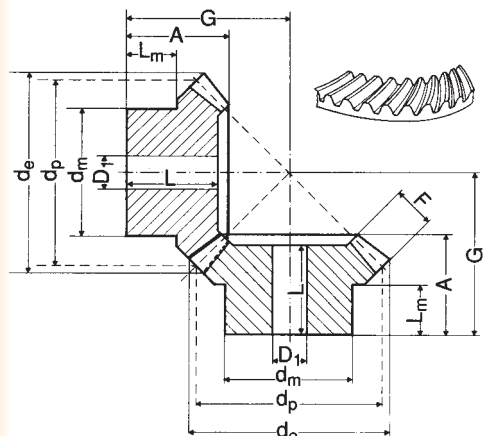


Materiale: C43
Angolo di pressione 20°

M	Z	dp	de	F	A	dm	D1	L	V	S	Lm
		mm	mm	mm	mm	mm	mm	mm	mm	mm	mm
1,5	16	24	26,91	12	25,0	18	10	24,0	36,02	1,0	12,2
	64	96	96,73	12	22,0	70	15	19,0	8,53	3,0	10,0
2	16	32	35,88	15	24,0	25	12	23,0	49,07	1,0	8,2
	64	128	128,97	15	24,0	80	20	20,0	11,79	4,0	10,0
2,5	16	40	44,85	18	30,5	30	12	29,0	61,99	1,5	11,7
	64	160	161,21	18	29,0	90	20	24,0	13,77	5,0	10,0
3	16	48	53,82	22	34,0	40	15	32,0	74,05	2,0	11,0
	64	192	193,45	22	30,0	100	20	24,0	16,41	6,0	10,0
3,5	16	56	62,80	25	45,0	48	15	43,0	87,13	2,0	19,1
	64	224	225,70	25	50,0	100	20	43,0	19,32	7,0	22,0
4	16	64	71,76	30	50,0	50	20	48,0	98,21	2,0	18,5
	64	256	257,94	30	50,0	120	20	42,0	21,72	8,0	20,0
4,5	16	72	80,73	32	53,0	55	20	50,5	112,08	2,5	19,0
	64	288	290,18	32	53,0	130	20	44,0	24,83	9,0	23,0
5	16	80	89,70	35	58,0	60	20	55,5	125,06	2,5	20,6
	64	320	322,42	35	58,0	150	20	48,0	27,65	10,0	25,0

Dati non impegnativi

Coppie coniche «SPIRAL» ad assi normali in acciaio sistema GLEASON



Rapporto 1:1

M	Z	dp	de	F	A	dm	D1	L	G	Lm
		mm	mm	mm	mm	mm	mm	mm	mm	mm
1,5	16	24,0	25,3	6	16,7	18	8	16,0	24	9,0
	20	30,0	31,3	7	19,4	22	8	18,0	29	10,0
	25	37,5	38,8	8	22,5	28	8	21,0	35	11,5
	30	45,0	46,3	10	25,1	32	10	23,0	40	11,0
2	16	32,0	34,0	9	19,9	25	10	16,9	29	9,5
	20	40,0	42,0	12	24,9	32	10	21,7	36	12,0
	25	50,0	52,0	14	27,4	40	12	24,8	42	11,9
	30	60,0	62,0	16	29,9	50	12	26,9	48	13,0
2,5	16	40,0	42,5	10	24,8	32	12	21,8	37	13,0
	20	50,0	52,5	12	30,2	40	12	26,7	46	16,0
	25	62,5	65,0	15	33,2	50	15	29,9	53	16,0
	30	75,0	77,5	18	35,0	55	15	31,8	59	16,0
3	16	48,0	51,0	12	29,4	40	15	25,8	44	16,0
	20	60,0	63,0	18	34,5	45	15	30,7	51	13,5
	25	75,0	78,0	20	37,5	55	15	33,7	60	16,0
	30	90,0	93,0	22	39,5	60	20	35,8	68	19,0
4	16	64,0	68,0	15	36,0	50	15	30,8	56	17,8
	20	80,0	84,0	17	37,5	60	18	32,5	64	18,0
	25	100,0	104,0	21	40,4	70	20	35,2	74	18,0
	30	120,0	124,0	25	43,2	80	25	38,1	84	16,0
5	16	80,0	85,0	17	41,9	60	20	35,5	68	18,9
	20	100,0	105,0	21	44,8	70	20	37,7	78	18,5
	25	125,0	130,0	26	47,8	90	20	41,8	90	18,5
	30	150,0	155,0	32	52,5	110	30	45,7	103	18,0

Materiale: C43
Angolo di pressione 20°

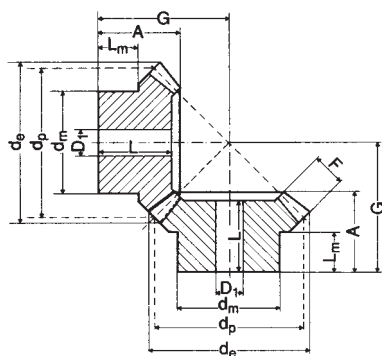
Rapporto 1:2

M	Z	dp	de	F	A	dm	D1	L	G	Lm
		mm	mm	mm	mm	mm	mm	mm	mm	mm
1,5	16	24	26,5	8	18,6	20	10	17,0	35	9,5
	32	48	48,3	8	20,0	32	12	18,0	28	10,0
2	16	32	35,5	10	22,5	27	10	21,0	45	11,7
	32	64	64,5	10	24,1	40	12	21,5	35	10,0
2,5	16	40	44,5	12	27,5	32	12	25,1	56	14,0
	32	80	80,5	12	29,2	50	15	25,9	43	15,0
3	16	48	53,5	15	28,4	40	15	25,2	62	12,0
	32	96	97,0	15	34,6	60	15	29,8	51	15,0
4	16	64	71,5	20	36,2	50	20	32,2	81	13,5
	32	128	129,0	20	44,2	80	20	38,7	66	23,0
5	16	80	89,5	25	50,0	60	20	45,3	106	21,0
	32	160	162,0	25	53,7	90	25	46,8	81	27,0

Materiale: C43
Angolo di pressione 20°

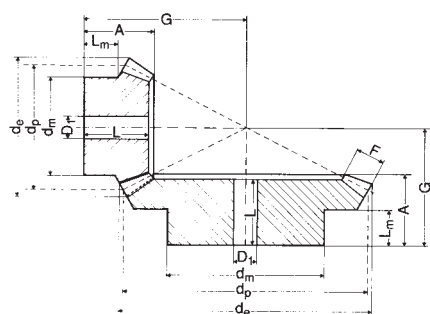
Dati non impegnativi

Coppie coniche a denti diritti ad assi normali in nylon



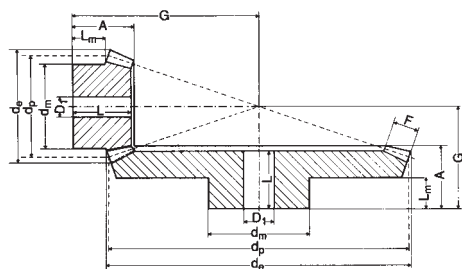
Rapporto 1:1

M	Z	dp	de	F	A	dm	D1	L	G	Lm
		mm	mm	mm	mm	mm	mm	mm	mm	mm
1	16	16	17,8	4	14,0	13	5	14,0	18,59	9,0
	16	24	26,1	8	18,0	20	8	17,0	25,10	8,9
1,5	20	30	32,1	8	20,0	22	8	18,0	28,70	9,8
	30	45	47,1	10	25,0	35	12	22,5	39,70	12,0
2	16	32	34,8	9	20,0	25	8	17,0	28,80	9,3
	20	40	42,8	12	25,0	32	8	22,0	35,70	12,0
	30	60	62,8	16	30,0	50	12	27,0	47,80	12,8
2,5	16	40	43,5	10	25,5	30	12	22,0	37,30	13,3
	20	50	53,5	12	30,5	38	12	27,0	45,90	16,0
	30	75	78,5	18	35,5	50	14	32,0	59,10	16,0
3	16	48	52,2	12	30,0	38	12	26,0	44,20	16,2
	20	60	64,2	18	35,0	44	16	31,0	51,10	13,6
	30	90	94,2	22	40,0	60	20	36,0	68,10	19,0
3,5	20	70	74,9	22	40,5	55	16	36,0	58,60	19,0



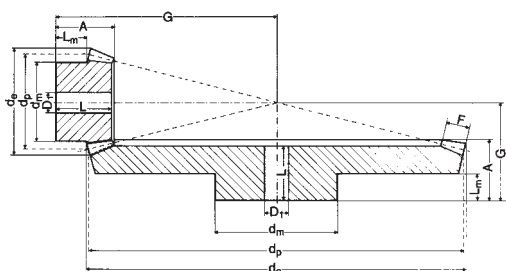
Rapporto 1:2

M	Z	dp	de	F	A	dm	D1	L	G	Lm
		mm	mm	mm	mm	mm	mm	mm	mm	mm
1,5	16	24	26,7	8	18,5	18	8	17,0	34,9	10,3
	32	48	49,3	8	20,0	32	12	17,5	27,5	10,0
2	16	32	35,6	10	23,0	24	10	21,0	45,4	12,2
	32	64	65,8	10	25,0	40	12	22,0	35,2	10,0
2,5	16	40	44,4	12	27,5	30	12	25,0	56,0	14,4
	32	80	82,2	12	30,0	50	15	26,5	43,5	10,0
3	16	48	53,4	15	28,0	40	14	25,0	61,6	11,6
	32	96	98,7	15	35,0	60	16	30,5	50,4	15,0



Rapporto 1:3

M	Z	dp	de	F	A	dm	D1	L	G	Lm
		mm	mm	mm	mm	mm	mm	mm	mm	mm
1,5	16	24	26,9	12	22	20	8	21	46,3	9,7
	48	72	72,9	12	22	42	15	19	29,2	12,0
2,5	16	40	44,7	18	28	34	14	26	70,4	9,2
	48	120	121,6	18	32	60	20	27	44,6	16,0
3	16	48	53,7	18	30	35	10	28	84,2	11,2
	48	144	145,9	18	38	60	20	32	54,1	19,0



Rapporto 1:4

M	Z	dp	de	F	A	dm	D1	L	G	Lm
		mm	mm	mm	mm	mm	mm	mm	mm	mm
2	16	32	35,9	15	24,0	25	12	23	73,1	8,5
	64	128	129,0	15	28,0	70	20	24	38,9	14,0
2,5	16	40	44,9	18	30,5	32	15	29	92,6	11,7
	64	160	161,2	18	35,0	80	20	30	48,8	16,0
3	16	48	53,8	20	32,0	40	15	30	108,0	11,1
	64	192	193,5	20	42,0	60	20	36	58,8	22,0

Materiale: nylon 6 con fibre di vetro al 30%

Angolo di pressione 20°

N.B.: Per le caratteristiche del materiale vedi pag. 126

Dati non impegnativi